



DU-60
Duplexer

PARTS LIST

First Edition, Published in January 2001

Figure 1. Base

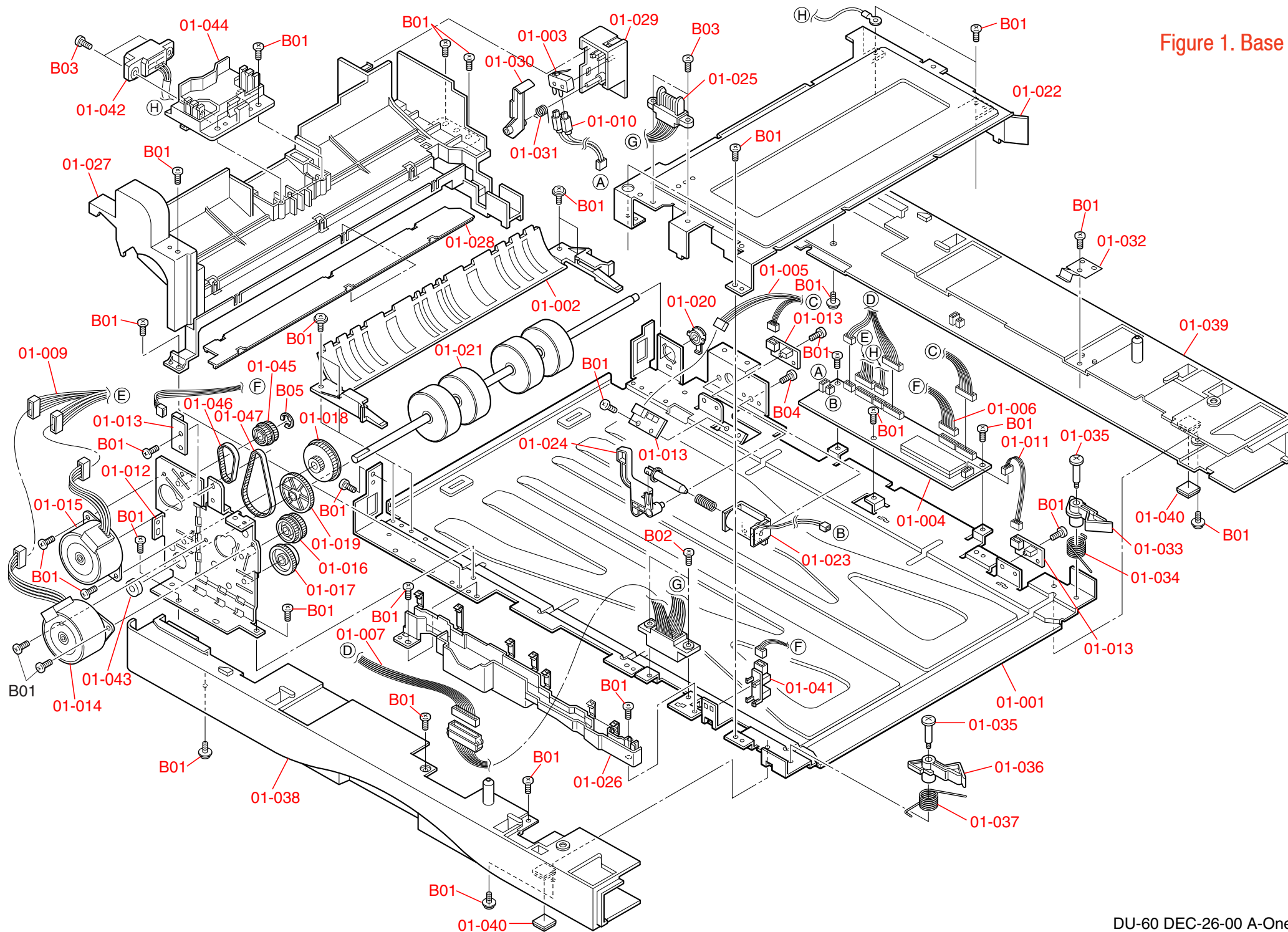


Figure 2. Reversing Bay

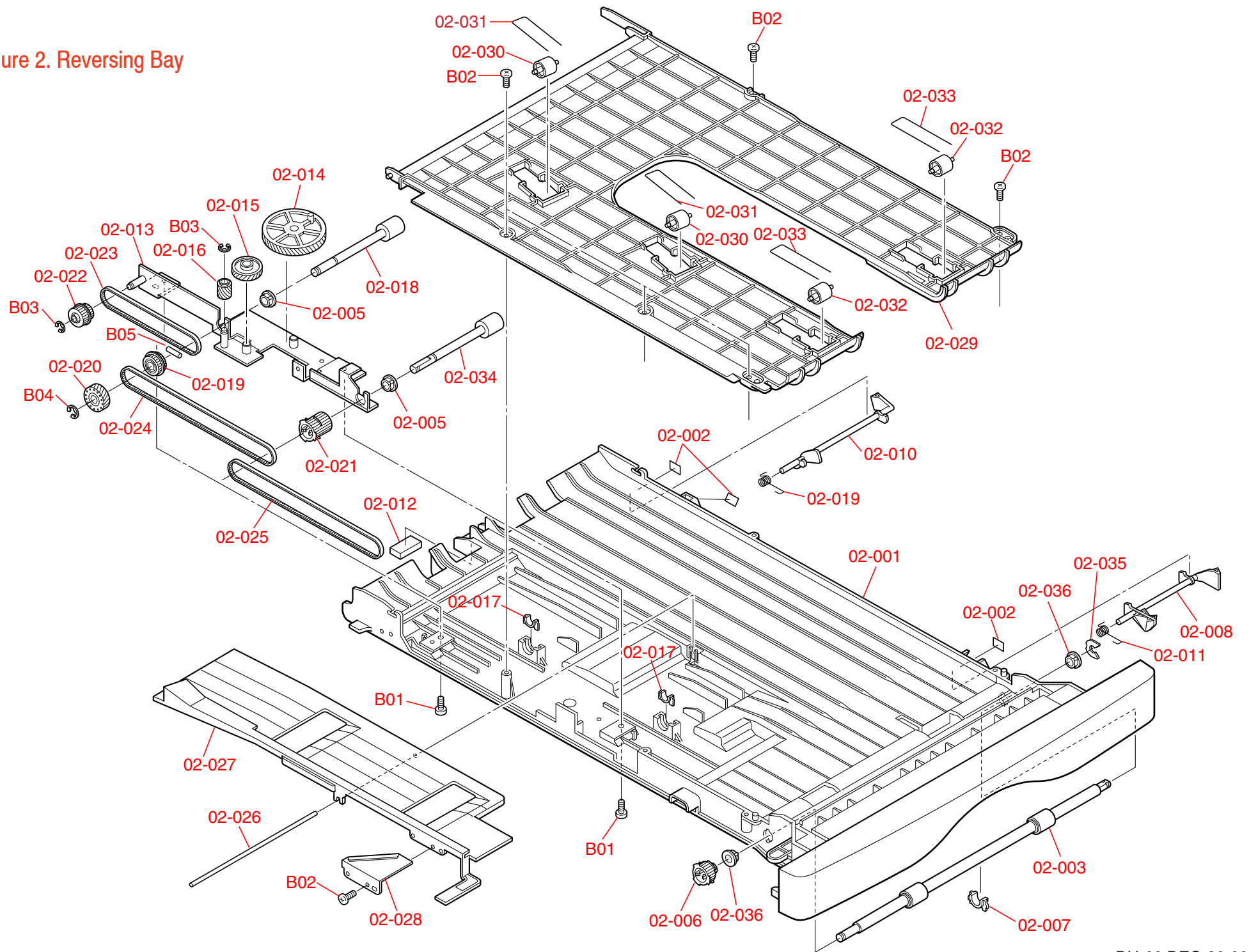
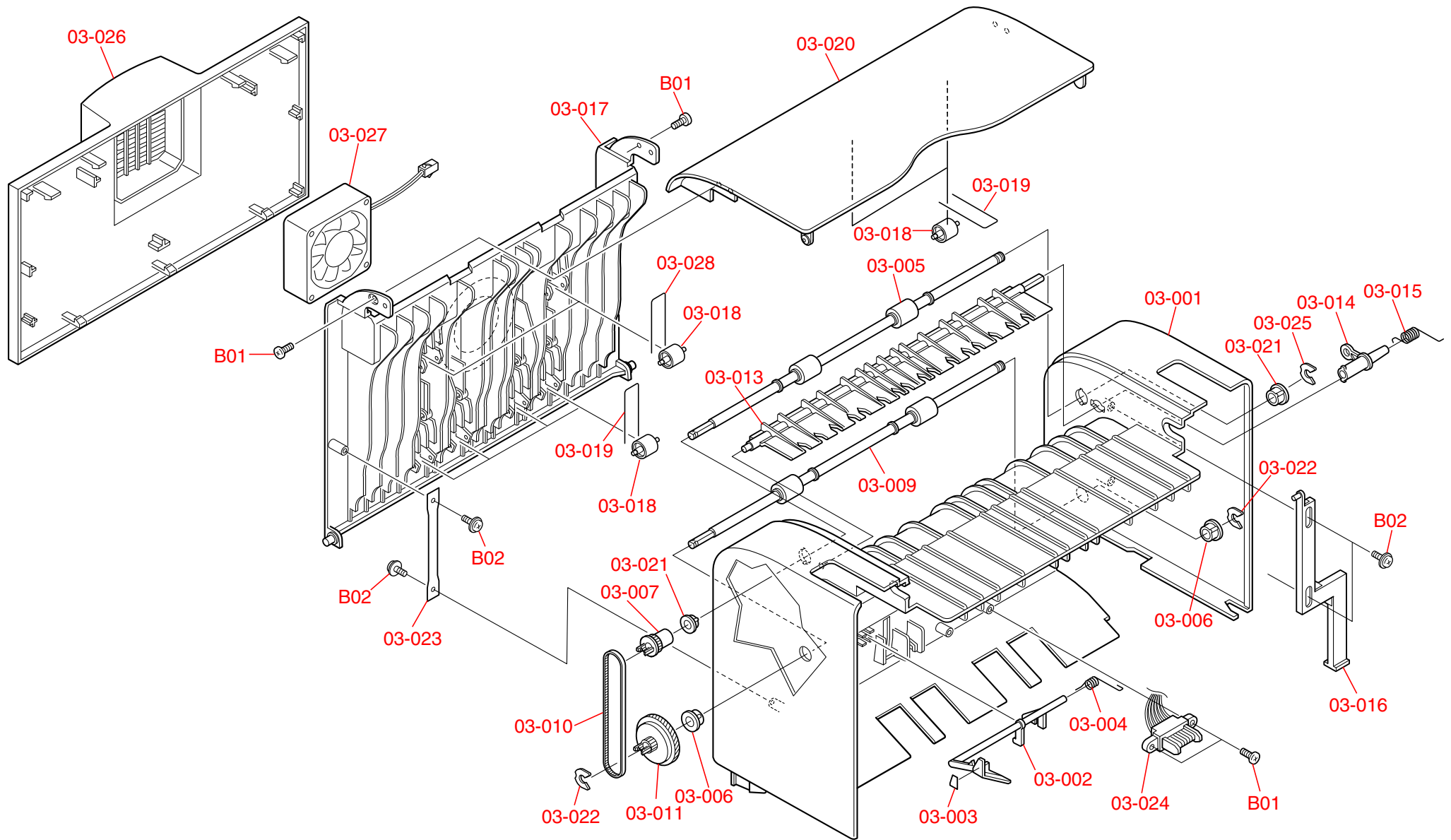


Figure 3. Downverter



ISP=Initial Spare Part SP=Spart Part

Ref.No.	Part Code	Description	ISP	SP	Used
01-001	5SNSP0013746	BASE FRAME	-	-	1
01-002	5SNSP0013764	GUIDE TURNOVER	-	-	1
01-003	5SNSP0013882	SW INTERLOCK	X	X	1
01-004	5SNSP0013768	PWB ASSY	X	X	1
01-005	5SNSP0013891	CONN CORD SENSOR R1	-	-	1
01-006	5SNSP0013896	SONN CORD MAIN	-	-	1
01-007	5SNSP0013895	CONN CORD TRANSMIT 2	-	-	1
01-009	5SNSP0013893	CONN CORD MOTOR	-	-	1
01-010	5SNSP0013889	CONN CORD INTERLOCK	-	-	1
01-011	5SNSP0013892	CONN CORD SENSOR R2	-	-	1
01-012	5SNSP0013875	BKT MOTOR	-	-	1
01-013	5SNSP0013894	PWB SENSOR ASSY	X	X	4
01-014	5SNSP0013765	MOTOR 1	X	X	1
01-015	5SNSP0013766	MOTOR 2	X	X	1
01-016	5SNSP0013755	GEAR IDOL A5	X	X	1
01-017	5SNSP0013752	GEAR CONNECT 1	X	X	1
01-018	5SNSP0013758	PULLEY TURNOVER	X	X	1
01-019	5SNSP0013915	GEAR TURNOVER	X	X	1
01-020	5SNSP0013753	BUSH G	X	X	2
01-021	5SNSP0013749	ROLLER TURNOVER	X	X	1
01-022	5SNSP0013917	STAY UPPER	-	-	1
01-023	5SNSP0013767	SOLENOID F/U F/D	X	X	1
01-024	5SNSP0013754	ARM SOLENOID	-	-	1
01-025	5SNSP0013888	CONN CORD TRANSMIT 1	X	X	1
01-026	5SNSP0013877	DUCT CABLE	-	-	1
01-027	5SNSP0013756	DUCT REAR	-	-	1
01-028	5SNSP0013883	COVER DUCT	-	-	1
01-029	5SNSP0013884	COVER INTERLOCK	-	-	1
01-030	5SNSP0013759	LEVER INTERLOCK	-	-	1
01-031	5SNSP0013905	SPRING INTERLOCK	-	-	1
01-032	5SNSP0013747	PLATE EARTH	-	-	1
01-033	5SNSP0013760	LEVER LOCK RIGHT	-	X	1
01-034	5SNSP0013903	SPRING LOCK R	-	-	1
01-035	5SNSP0013762	SCREW LEVER LOCK	-	-	2
01-036	5SNSP0013761	LEVER LOCK LEFT	-	X	1
01-037	5SNSP0013902	SPRING LOCK L	-	-	1
01-038	5SNSP0013874	COVER LEFT	X	X	1
01-039	5SNSP0013745	COVER RIGHT	X	X	1
01-040	5MVX221RB005	FOOT	X	X	2

ISP=Initial Spare Part SP=Spart Part

Ref.No.	Part Code	Description	ISP	SP	Used
01-041	5SNSP0013954	SENSOR SIZE HP	-	X	1
01-042	5SNSP0013955	CONN CORD FAN	-	X	1
01-043	5SNSP0013956	BEARING DU	-	X	1
01-044	5SNSP0013957	HOLDER FAN CORD	-	-	1
01-045	5SNSP0013962	PULLEY GEAR S2	-	X	1
01-046	5SNSP0013958	BELT S2M 70	-	X	1
01-047	5SNSP0013959	BELT S2M 128	-	X	1
02-001	5SNSP0013715	BASE DRAWER	X	X	1
02-002	5SNSP0013906	SHEET REFLECTION	X	X	3
02-003	5SNSP0013710	ROLLER CONVEYING 1	X	X	1
02-005	5SNSP0013718	BUSH E	X	X	2
02-006	5SNSP0013728	PULLEY CONVEYING 2C	X	X	1
02-007	5SNSP0013742	BUSH H	X	X	1
02-008	5SNSP0013720	FLAG SENSOR 2	-	X	1
02-009	5SNSP0013897	SPRING SENSOR 1	-	-	1
02-010	5SNSP0013719	FLAG SENSOR 1	-	X	1
02-011	5SNSP0013898	SPRING SENSOR 2	-	-	1
02-012	5SNSP0013916	RUBBER DRAG	-	-	1
02-013	5SNSP0013876	FRAME GUIDE 2	-	-	1
02-014	5SNSP0013887	GEAR SLIDE	X	X	1
02-015	5SNSP0013724	GEAR IDOL A4	X	X	1
02-016	5SNSP0013723	GEAR HELICAL 2	X	X	1
02-017	5SNSP0013717	BUSH A	X	X	2
02-018	5SNSP0013711	ROLLER CONVEYING 2	X	X	1
02-019	5SNSP0013713	PULLEY CINVEYING 2A	X	X	1
02-020	5SNSP0013722	GEAR CLUTCH 2	X	X	1
02-021	5SNSP0013727	PULLEY CINVEYING 2B	X	X	1
02-022	5SNSP0013721	GEAR CONVEYING A	X	X	1
02-023	5SNSP0013841	BELT S2M 200	X	X	1
02-024	5SNSP0013880	BELT S2M 308	X	X	1
02-025	5SNSP0013879	BELT S2M 318	X	X	1
02-026	5SNSP0013901	SHAFT SLIDF	-	-	1
02-027	5SNSP0013716	GUIDE ADJUST	-	-	1
02-028	5SNSP0013911	PLATE ROOF	-	-	1
02-029	5SNSP0013714	GUIDE MID UPPER	-	-	1
02-030	5SNSP0013726	ROLLER DIAGONAL	X	X	2
02-031	5SNSP0013904	SPRING ROLLER 2	-	-	2
02-032	5SNSP0013712	ROLLER PINCH	X	X	2
02-033	5SNSP0013900	SPRING ROLLER 1	-	-	2

ISP=Initial Spare Part SP=Spart Part

Ref.No.	Part Code	Description	ISP	SP	Used
02-034	5SNSP0013885	ROLLER CONVEYING 3	-	X	1
02-035	5SNSP0013963	STOP RING P6	-	X	1
02-036	5SNSP0013970	BUSH 6	-	X	2
03-001	5SNSP0013733	COVER VERTICAL PASS	X	X	1
03-002	5SNSP0013736	FLAG SENSOR 3	-	X	1
03-003	5SNSP0013960	SHEET REFLECTION 2	-	X	1
03-004	5SNSP0013897	SPRING SENSOR 1	-	-	1
03-005	5SNSP0013886	ROLLER EXIT	X	X	1
03-006	5SNSP0013741	BUSH D	X	X	2
03-007	5SNSP0013735	PULLEY CONVEYING 1	X	X	1
03-009	5SNSP0013731	UPPER ROLLER	X	X	1
03-010	5SNSP0013878	BELT S2M 180	X	X	1
03-011	5SNSP0013740	PULLEY GEAR	X	X	1
03-013	5SNSP0013738	FLAPPER DU	-	-	1
03-014	5SNSP0013743	ARM FLAPPER	-	-	1
03-015	5SNSP0013899	SPRING FLAPPER	-	-	1
03-016	5SNSP0013739	LINK FLAPPER	-	-	1
03-017	5SNSP0013734	REAR COVER	X	X	1
03-018	5SNSP0013712	ROLLER PINCH	X	X	8
03-019	5SNSP0013904	SPRING ROLLER 2	-	-	6
03-020	5SNSP0013732	UPPER COVER	X	X	1
03-021	5SNSP0013961	BUSH I	-	X	2
03-022	5SNSP0013963	STOP RING P6	-	X	2
03-023	5SNSP0013964	BAND COVER	-	-	1
03-024	5SNSP0013965	CONN CORD FAN PASS	-	X	1
03-025	5SNSP0013966	STOP RING P8	-	X	1
03-026	5SNSP0013967	COVER FAN	-	X	1
03-027	5SNSP0013968	FAN DU	-	X	1
03-028	5SNSP0013969	SPRING ROLLER 3	-	-	2
P-001	5SNSAA63++04	PACKING ASSY	-	X	1
P-002	5SNSP0013770	OUTER CARTON	X	-	1
P-003	5SNSP0013907	BASE BOTTOM	X	-	1
P-004	5SNSP0013908	PAD A	X	-	2
P-005	5SNSP0013909	PAD B	X	-	2
P-006	5SNSP0013910	POLY BAG DU	X	-	1